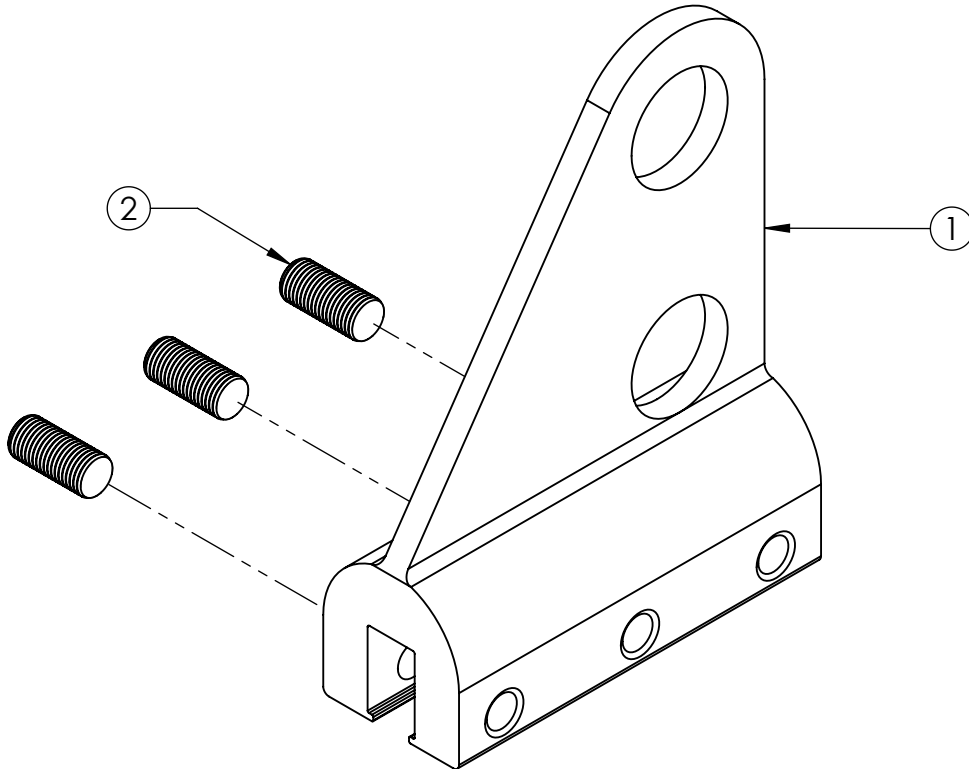


# Assembly Sheet - ASG4025-AL

1. Installation to be completed in accordance with manufacturer's written specifications and installation instructions.
2. See spec sheet or contact manufacturer for detailed material, finishes, and configuration options.
3. Contact manufacturer for detailed layout.
4. Do not scale drawings.
5. Subject to change without notice.



ITEM NO.	PART CODE	DESCRIPTION	QTY
1	ASG4025-AL-BLOCK	4025 2 PP SSR-AL	1
2	SET-O SS-.375-24X1	SS SET SCREW OP .3750-24X1 (INCLUDED IN POLY KIT SET SCREW)	3



289 Harrel Street  
 Morrisville, VT 05661  
 Phone: 1.888.766.4273  
 Fax: 1.888.766.9994  
 Email: [Info@alpinesnowguards.com](mailto:Info@alpinesnowguards.com)

Scale: 2:3

2/14/2018