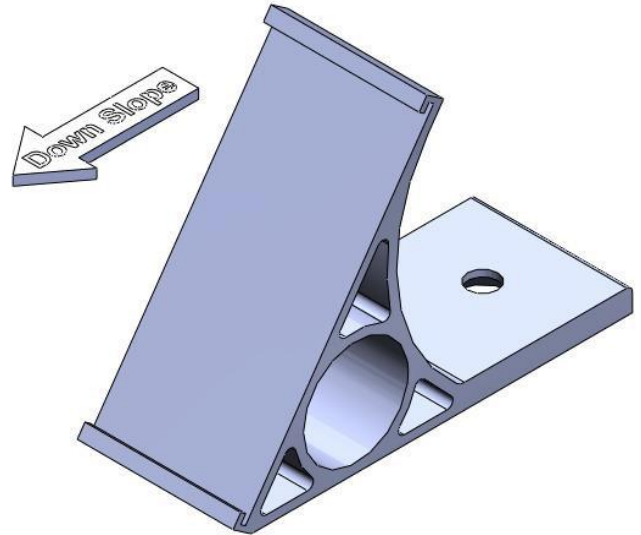


Installation Instructions for PD90B Snow Guard

1. Orientation of the snow guard is so the open end faces up slope.
2. Determine where on the panel the snow guard is to be set (layout information is on the following page). The first row should be placed above the exterior supporting wall, not on the overhang.
3. Use an appropriate waterproofing sealant under the snow guard.
4. Place the appropriate fasteners through the snow guard (widths less than 2 1/2" will have one fastener hole), through the roof panel at the top of the corrugation and into the roof structure below required for attaching the base plate (2) to the substructure.

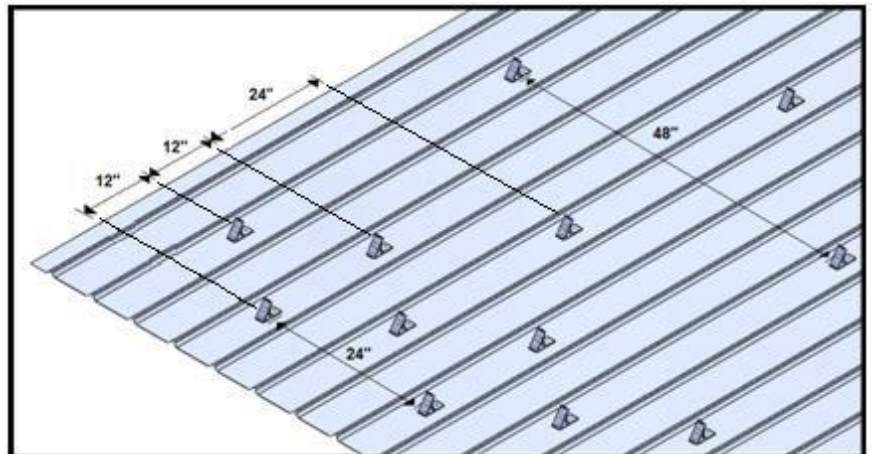


(Narrow size shown)

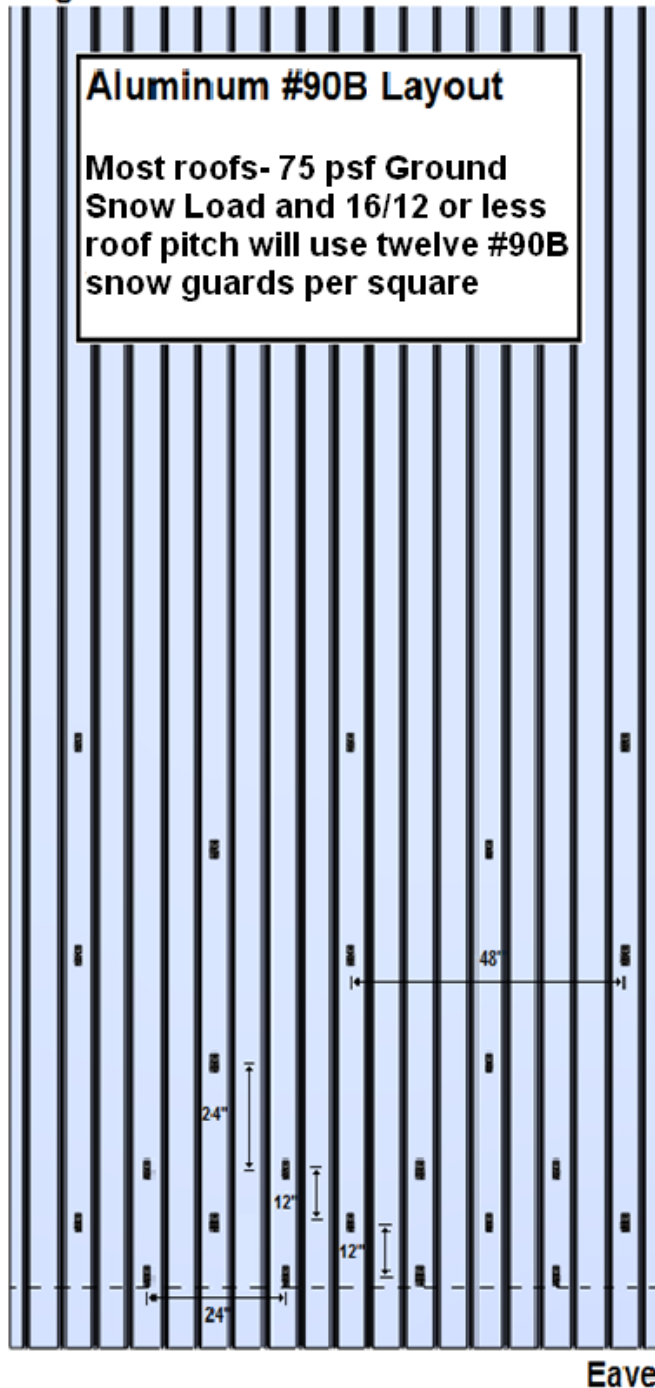
Typical Installation

For roofs with less than a 16/12 pitch and less than 75 psf Ground Snow Load, space first three rows 24" on center horizontally and 12" vertically. Additional rows should be spaced 48" horizontally and 24" vertically to within 10' of the peak.

This will require approximately twelve PD90B snow guards per square. Contact the manufacturer if your roof is outside of these measurements



Ridge



Aluminum #90B Layout
 Most roofs- 75 psf Ground Snow Load and 16/12 or less roof pitch will use twelve #90B snow guards per square

Note: Not all corrugations are 12" (or a multiple of 12") on center. You may need to adjust your layout to fit twelve snow guards per square.

Most Roofs Do Not Need Snow Guards on the Top 10'.

Supplemental Rows

Spaced around 48" on center horizontally and 24" vertically to within 10' of the ridge. You may need to adjust these measurements to fit your panel

Three Row Pattern – 24" On Center Horizontally and 12" Vertically.

Start at or above the line of the exterior supporting wall. Install snow guards 24" on center horizontally and 12" vertically with the middle row offset 12". Additional rows are required if the rafter length (distance gutter to peak) is greater than 15'.

Eave

Document version 04.28.2015

