

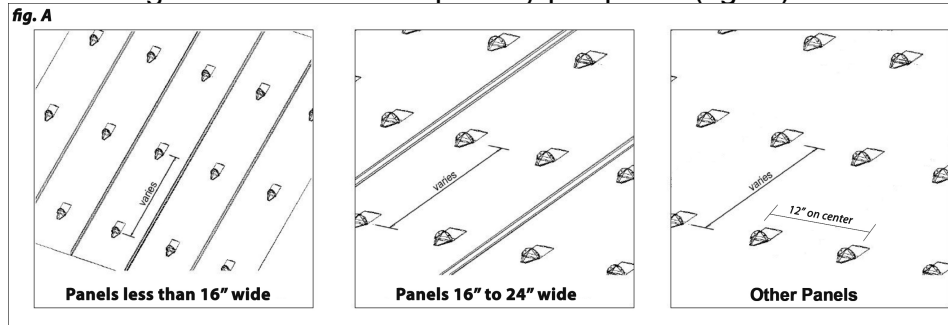
PD30-CL Snow Guard Installation Instructions

Typical Roof Types:

- New/existing metal standing seam
- New/existing metal corrugated/ribbed
- New/existing metal batten or snap

Installation:

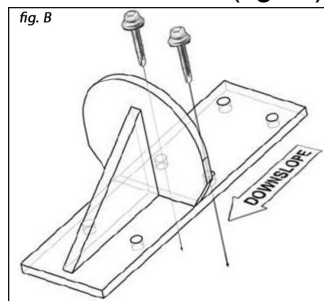
1. Determine snow guard location and quantity per panel (*fig. A*).



2. Select option below that best applies to your project/installation.

Mechanically Fastened (*Alpine SnowGuards' preferred installation method*)

- A. Use an appropriate waterproofing sealant under the snow guard.
- B. Place two of the appropriate fasteners through the snow guard, through the roof panel and into the roof structure (*fig. B*).



Adhesive Caulking*

(Refer to adhesive manufacturer's published instructions for prep, installation and curing periods)

*Alpine SnowGuards does not warrant the use of adhesives for installing snow guards.

- A. Prepare the area where the snow guard is to be installed (clean the roof with Isopropyl alcohol).
- B. Scuff the underside of the snow guard with 80 grit sand paper until all gloss is removed.
- C. Apply a thin film of adhesive caulking (3 mil.) to the underside of the snow guard.
- D. Place snow guard on panel and apply pressure. Tool off excess adhesive from around the snow guard and from the top of the snow guard.

Snow Guard Layout Options for Metal Panel Roofs

Vertical spacing and the number of rows needed are determined by the installation method, the distance eave to peak, the roof pitch and the ground snow load (psf).

If you have any questions, or need a project-specific layout, please contact us at 888-766-4273.

Document version 07.20.2018

